

PRODUCT INFORMATION

WELDon RANGE NOW IN STOCK

✦ We are now stocking the WELDon product range, which provides an effortless and cost effective solution for common shaped components requiring welding.

WELDon lugs and lifting tie downs are quick and easy universal components that can be readily applied over a large variety of usages. These product solutions reduce the time and effort of manual fabrication to locate material, mark out, cut, drill, grind and finally weld on.



MANUAL FABRICATION – SIX TIME CONSUMING STEPS



1 Find Material



4 Drill



2 Mark Out



5 Grind



3 Cut



6 Weld On

WELDon FABRICATION – TWO QUICK AND EASY STEPS



1 Pick WELDon Product



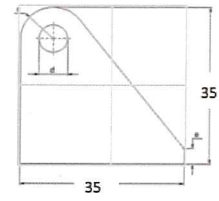
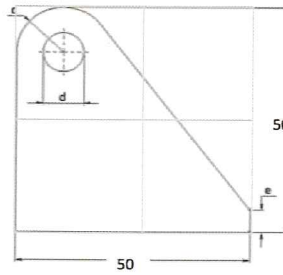
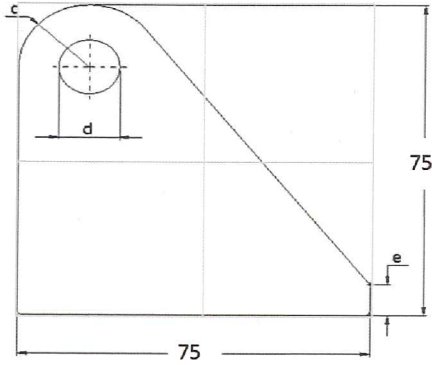
2 Weld On



WELDON PART CODE FORMATION

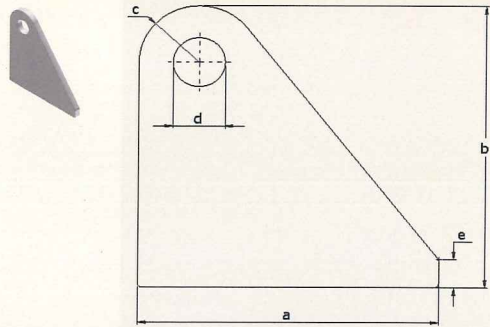
SERIES	TYPE	SIZE	MATERIAL	THICKNESS
L	1	50	MS	10
LUG	OFF SET BOLT LUG	50MM	MILD STEEL	10MM

EXAMPLE: L150MS.10 — 50MM Mild Steel Offset Bolt Lug with 10mm thickness



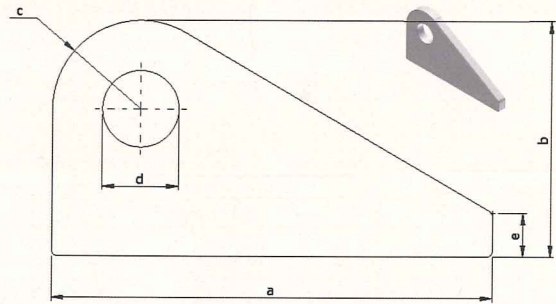
LUGS

OFFSET BOLT LUG



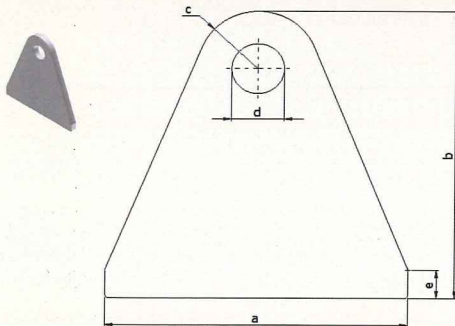
SERIES	TYPE	SIZE	A	B	C	D	E	M	T (MM)
L	1	35	35	35	10	9	10	MS	5
L	1	50	50	50	15	11	15	MS	6, 8
L	1	75	75	75	20	13	15	MS	6, 8

LOW OFFSET BOLT LUG



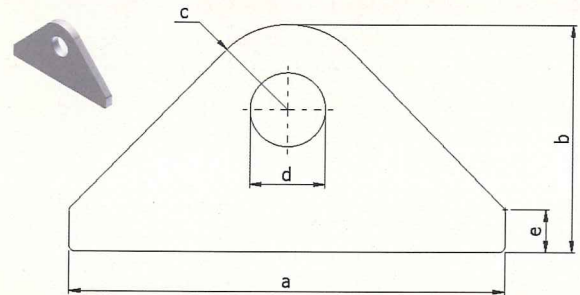
SERIES	TYPE	SIZE	A	B	C	D	E	M	T (MM)
L	2	35	35	20	10	9	6	MS	5
L	2	50	50	30	15	11	10	MS	6, 8
L	2	75	75	40	20	13	10	MS	6, 8

CENTRE BOLT LUG



SERIES	TYPE	SIZE	A	B	C	D	E	M	T (MM)
L	3	35	35	35	10	9	6	MS	5
L	3	50	50	50	15	11	12	MS	6, 8
L	3	75	75	75	20	13	15	MS	6, 8

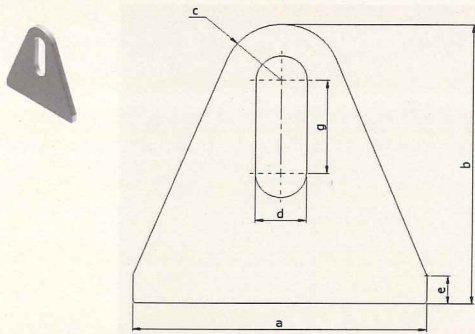
LOW CENTRE BOLT LUG



SERIES	TYPE	SIZE	A	B	C	D	E	M	T (MM)
L	4	35	35	20	10	9	6	MS	5
L	4	50	50	30	15	11	10	MS	6, 8
L	4	75	75	40	20	13	10	MS	6, 8

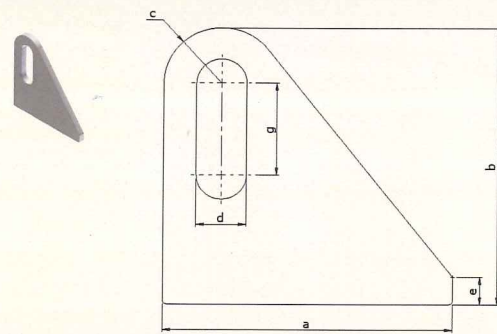
LUGS (CONTINUED)

CENTRE SLOT LUG



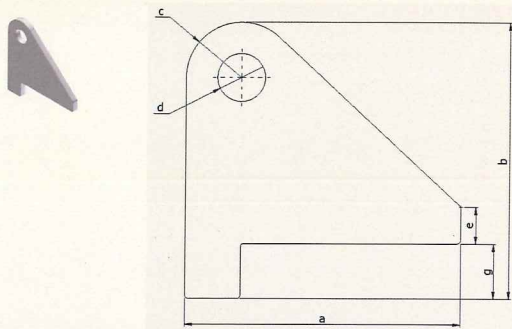
SERIES	TYPE	SIZE	A	B	C	D	E	G	M	T (MM)
L	5	35	35	35	10	9	8	10	MS	5
L	5	50	50	50	15	11	10	12	MS	6, 8
L	5	75	75	75	20	13	15	25	MS	6, 8

OFFSET SLOT LUG



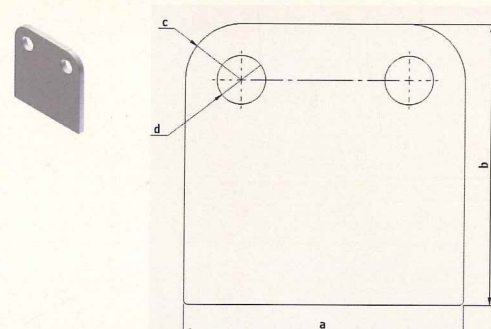
SERIES	TYPE	SIZE	A	B	C	D	E	G	M	T (MM)
L	5	35	35	35	10	9	8	10	MS	5
L	5	50	50	50	15	11	10	12	MS	6, 8
L	5	75	75	75	20	13	15	25	MS	6, 8

RHS OFFSET BOLT LUG



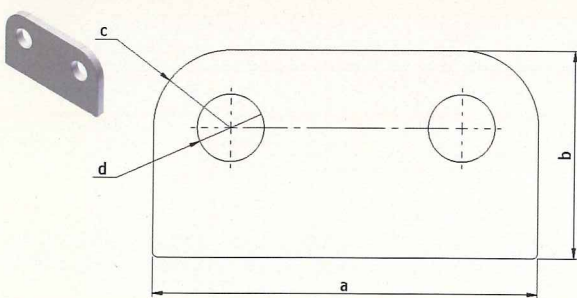
SERIES	TYPE	SIZE	A	B	C	D	E	G	M	T (MM)
L	7	35	35	35	10	9	10	10	MS	5
L	7	50	50	50	15	11	10	15	MS	6, 8
L	7	75	75	75	20	13	15	20	MS	6, 8

TYPE 8 - TWIN BOLT LUG



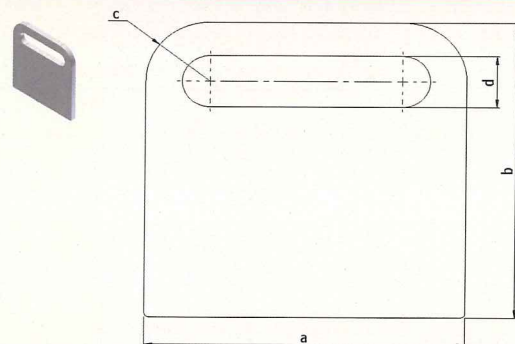
SERIES	TYPE	SIZE	A	B	C	D	E	M	T (MM)
L	8	35	35	35	10	9	-	MS	5
L	8	50	50	50	15	11	-	MS	6, 8
L	8	75	75	75	20	13	-	MS	6, 8

LOW TWIN BOLT LUG



SERIES	TYPE	SIZE	A	B	C	D	E	M	T (MM)
L	10	35	35	35	10	9	-	MS	5
L	10	50	50	50	15	11	-	MS	6, 8
L	10	75	75	75	20	13	-	MS	6, 8

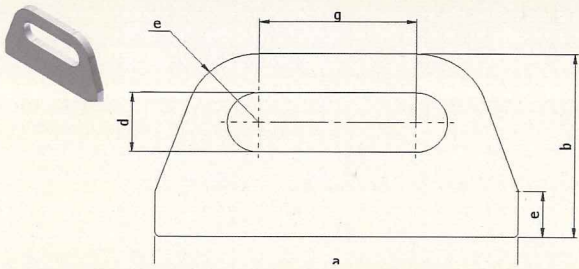
HORIZONTAL SLOT LUG



SERIES	TYPE	SIZE	A	B	C	D	E	M	T (MM)
L	10	35	35	35	10	9	-	MS	5
L	10	50	50	50	15	11	-	MS	6, 8
L	10	75	75	75	20	13	-	MS	6, 8

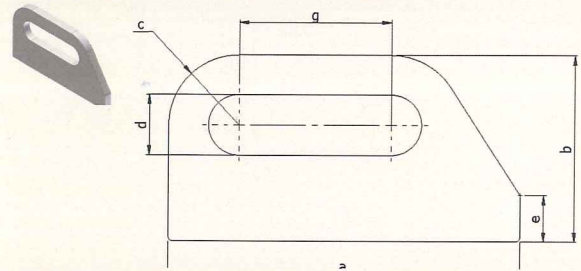
LUGS (CONTINUED)

LOW CENTRE SLOT LUG



SERIES	TYPE	SIZE	A	B	C	D	E	G	M	T (MM)
L	11	35	35	20	10	9	5	10	MS	5
L	11	50	50	30	15	11	8	15	MS	6, 8
L	11	75	75	40	18	13	12	30	MS	6, 8

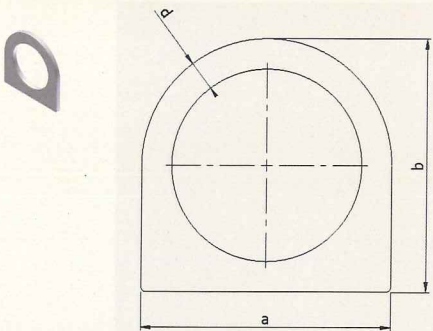
LOW OFFSET SLOT LUG



SERIES	TYPE	SIZE	A	B	C	D	E	G	M	T (MM)
L	12	35	35	20	10	9	5	10	MS	5
L	12	50	50	30	15	11	8	15	MS	6, 8
L	12	75	75	40	18	13	12	30	MS	6, 8

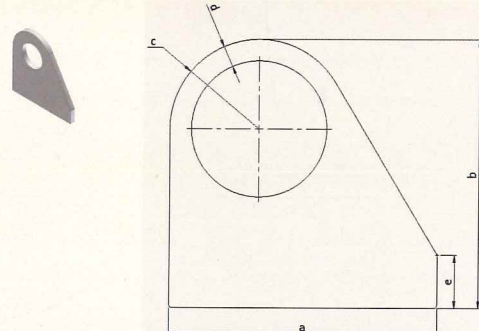
TIE DOWNS

LARGE LOOP TIE DOWN



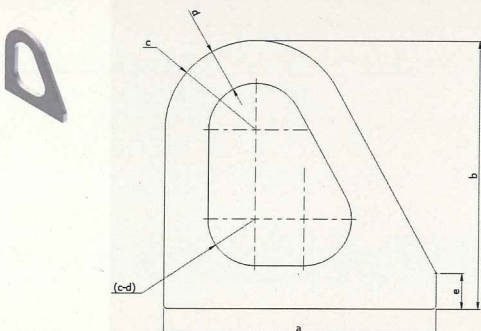
SERIES	TYPE	SIZE	A	B	C	D	E	M	T (MM)
LT	1	75	75	75	-	12	-	MS	8
LT	1	100	100	100	-	16	-	MS	10
LT	1	150	150	150	-	24	-	MS	10

OFFSET TIE DOWN



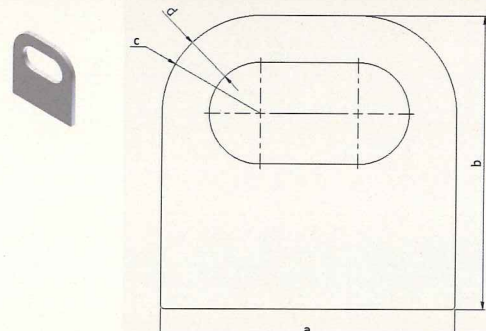
SERIES	TYPE	SIZE	A	B	C	D	E	M	T (MM)
LT	2	75	75	75	25	12	20	MS	8
LT	2	100	100	100	35	16	25	MS	10
LT	2	150	150	150	50	24	30	MS	10

OFFSET OPEN TIE DOWN



SERIES	TYPE	SIZE	A	B	C	D	E	M	T (MM)
LT	3	75	75	75	25	12	10	MS	8
LT	3	100	100	100	35	16	15	MS	10
LT	3	150	150	150	50	24	20	MS	10

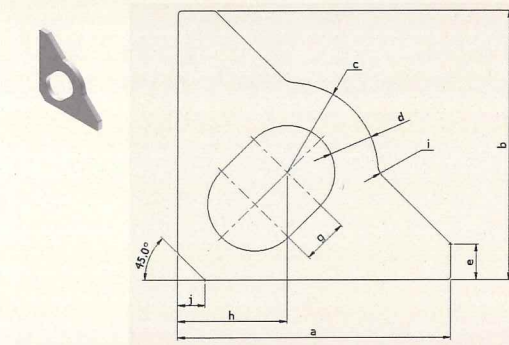
OVAL TIE DOWN



SERIES	TYPE	SIZE	A	B	C	D	E	M	T (MM)
LT	4	75	75	75	25	12	-	MS	8
LT	4	100	100	100	35	16	-	MS	10
LT	4	150	150	150	50	24	-	MS	10

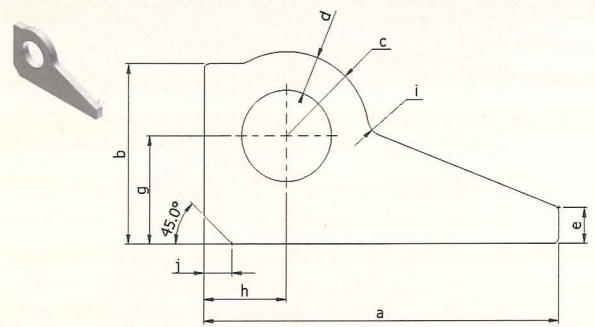
TIE DOWNS (CONTINUED)

CORNER GUSSET TIE DOWN



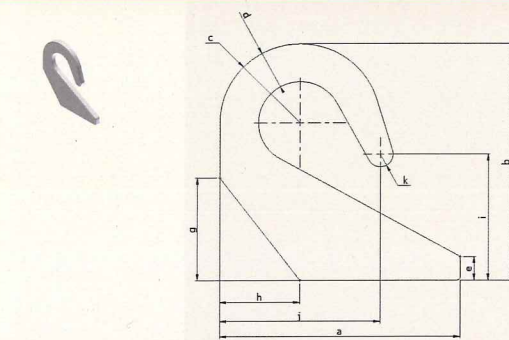
SERIES	TYPE	SIZE	A	B	C	D	E	G	H	I	J	M	T (MM)
LT	5	75	75	75	25	12	10	15	35	10	15	MS	8
LT	5	100	100	100	35	16	15	20	45	10	15	MS	10
LT	5	150	150	150	50	24	20	25	60	10	15	MS	10

LOWER CORNER GUSSET TIE DOWN



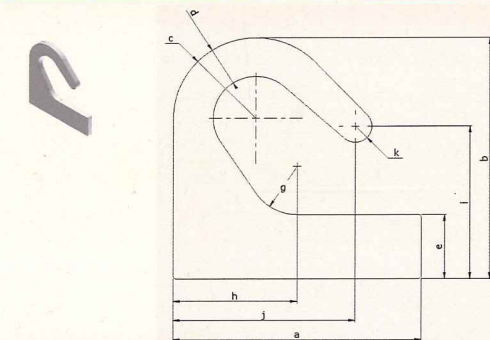
SERIES	TYPE	SIZE	A	B	C	D	E	G	H	I	J	M	T (MM)
LT	6	75	75	40	20	8	8	22	20	8	12	MS	8
LT	6	100	100	50	25	10	10	30	25	8	12	MS	10
LT	6	150	150	75	35	16	15	45	35	8	12	MS	10

CLOSED HOOK TIE DOWN



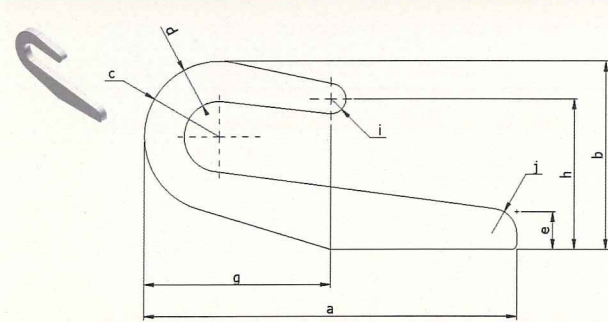
SERIES	TYPE	SIZE	A	B	C	D	E	G	H	I	J	K	M	T (MM)
LT	7	75	75	75	25	12	10	30	25	40	50	5	MS	8
LT	7	100	100	100	35	16	12	40	30	52	70	6	MS	10
LT	7	150	150	150	50	24	15	65	50	80	100	8	MS	10

OFFSET HOOK TIE DOWN



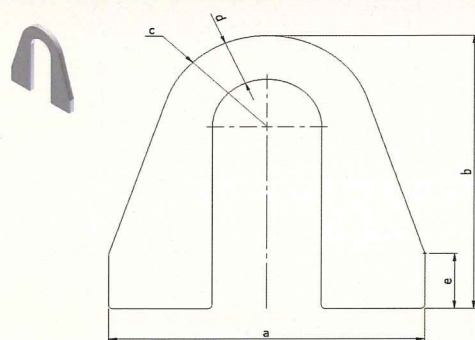
SERIES	TYPE	SIZE	A	B	C	D	E	G	H	I	J	K	M	T (MM)
LT	8	75	75	75	25	12	20	20	45	50	55	5	MS	8
LT	8	100	100	100	35	16	25	25	55	65	75	6	MS	10
LT	8	150	150	150	50	24	40	30	75	95	110	10	MS	10

LOW OFFSET HOOK TIE DOWN



SERIES	TYPE	SIZE	A	B	C	D	E	G	H	I	J	M	T (MM)
LT	9	75	75	40	15	8	6	40	30	3	3	MS	8
LT	9	100	100	50	20	10	8	50	40	4	5	MS	10
LT	9	150	150	75	30	16	15	75	60	6	10	MS	10

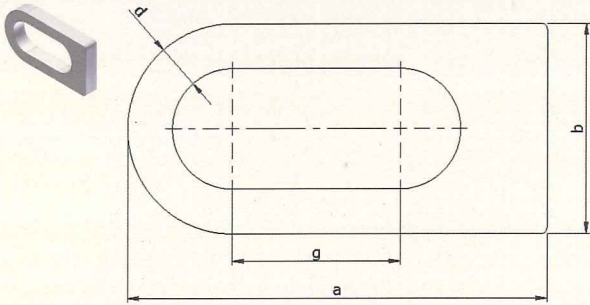
OPEN END TIE DOWN



SERIES	TYPE	SIZE	A	B	C	D	E	M	T (MM)
LT	10	75	75	75	25	12	20	MS	8
LT	10	100	100	100	35	16	25	MS	10
LT	10	150	150	150	50	24	30	MS	10

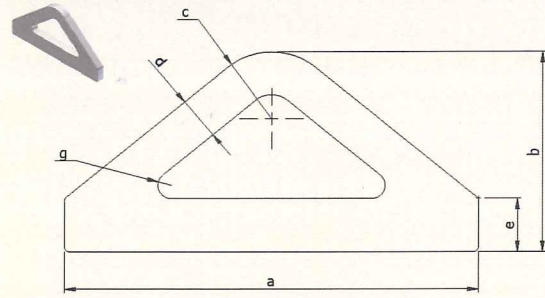
TIE DOWNS (CONTINUED)

LOW D TIE DOWN



SERIES	TYPE	SIZE	A	B	C	D	E	G	M	T (MM)
LT	11	75	75	40	-	8	-	30	MS	8
LT	11	100	100	50	-	10	-	40	MS	10
LT	11	150	150	75	-	16	-	60	MS	10

LOW CENTRE TIE DOWN



SERIES	TYPE	SIZE	A	B	C	D	E	G	M	T (MM)
LT	12	75	75	40	15	8	10	5	MS	8
LT	12	100	100	50	20	10	12	5	MS	10
LT	12	150	150	75	30	16	20	5	MS	10



FOR ALL WELDING REQUIREMENTS

Steel & Tube have a range of Mig Wire and Electrodes suitable for using with WELDon components. A full range of sizes are available from our distribution outlets nationwide.

